
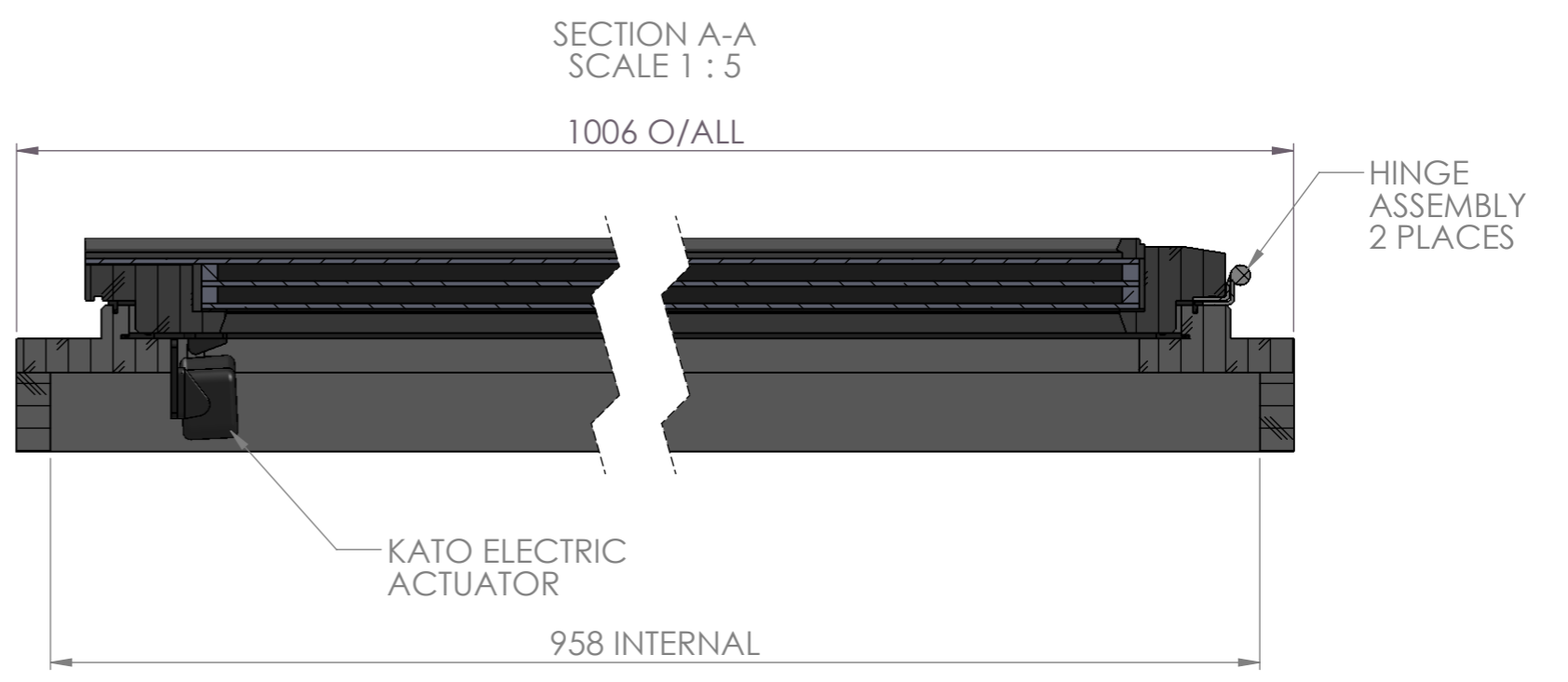
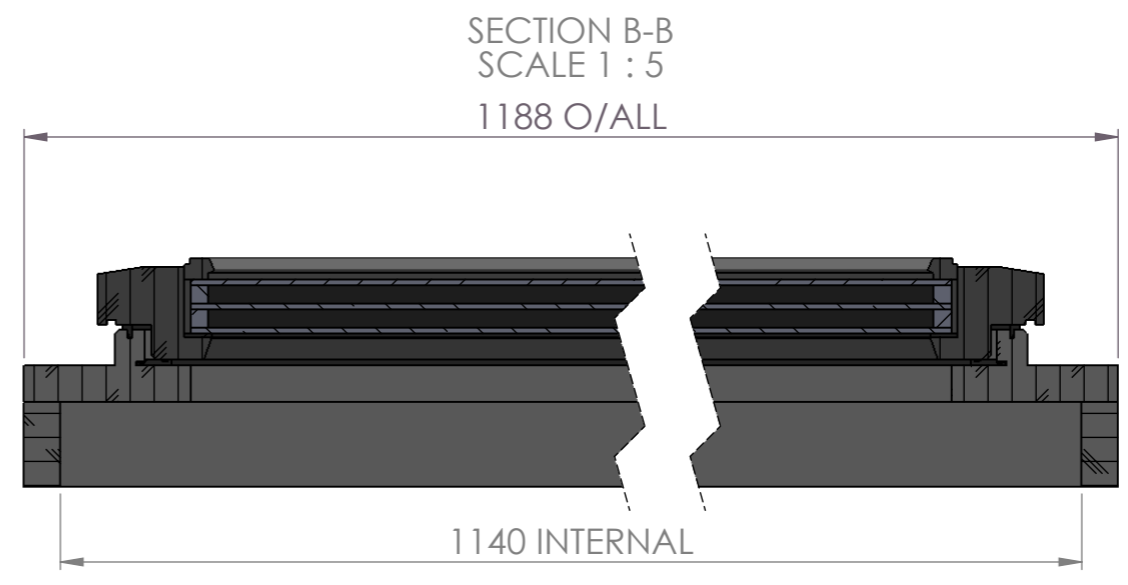
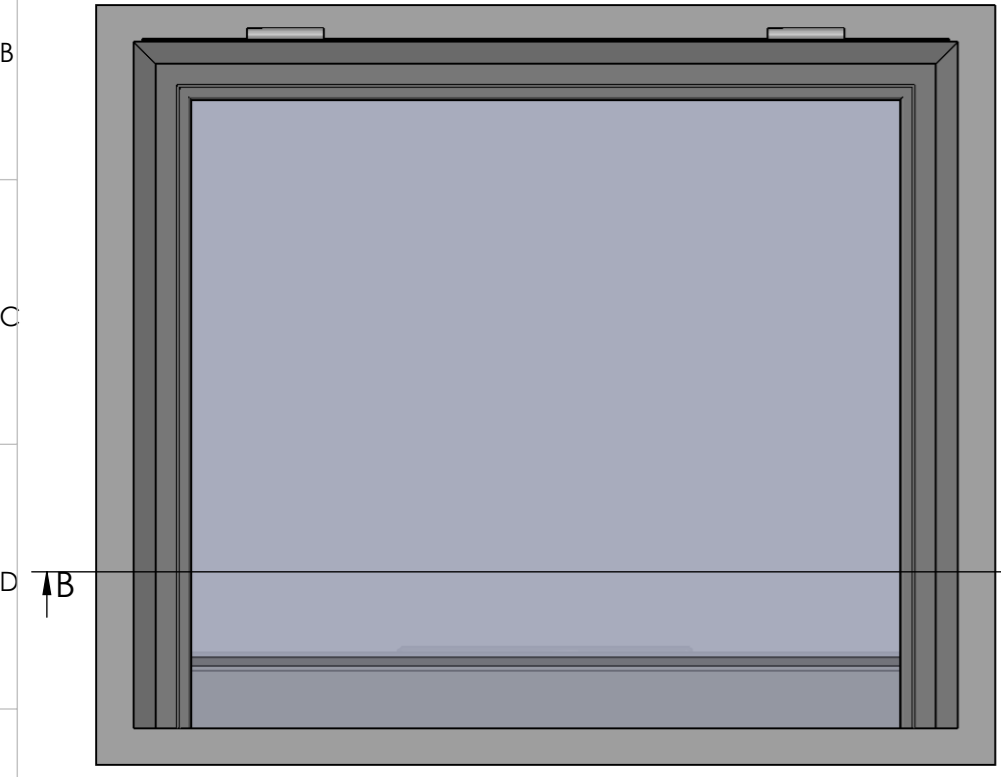


GENERAL INFORMATION
 3RD ANGLE PROJECTION 
 DO NOT SCALE - IF IN DOUBT, ASK
 REMOVE ALL SHARP EDGES AND BURRS

ITEM NO.	PART NUMBER	DESCRIPTION	QTY.
1	LUM2394A	OUTER FRAME GA	1
2	LUM2397A	CASEMENT GA	1
3	KATO Electric Actuator Unit		1
4	KATO Electric Actuator Casement Plate		1
5	LUM2401P	KATO CASEMENT BRACKET	1
6	LUM2402P	KATO ACTUATOR MOUNTING BRACKET	2

TOLERANCES UNLESS OTHERWISE SPECIFIED

LINEAR - 0 DECIMAL PLACES	±1.0mm
LINEAR - 1 DECIMAL PLACES	±0.50mm
LINEAR - 2 DECIMAL PLACES	±0.15mm
ANGULAR	
	±1.0°
SURFACE FINISH - GENERAL	
	3.2 µm
SURFACE FINISH - MACHINED	
	1.6 µm
SURFACE FINISH - GROUND	
	0.4 µm
SURFACE FINISH - POLISHED	
	0.2 µm
SCREW THREAD - INTERNAL	
	6H
SCREW THREAD - EXTERNAL	
	6g



LUMEN
 ROOFLIGHT

THE INFORMATION CONTAINED IN THIS DRAWING IS THE SOLE PROPERTY OF LUMEN. ANY REPRODUCTION IN PART OR AS A WHOLE WITHOUT WRITTEN PERMISSION IS STRICTLY PROHIBITED

SHEET: 1 OF 1 - A3
 DATE: 15/02/2015 UNITS: mm; kg

DRAWN: S.C
 SCALE: 1:10
 WEIGHT: 38

TITLE: HORIZON ROOF LIGHT GA
 REF: HORIZON SA. REF:

MATERIAL: ACCOYA
 TREATMENT:
 FINISH: PAINT TO SUIT REQUIREMENT

PART TYPE: BESPOKE
 PART REF: LUM2393A
 DRG. No. LUM2393A ISSUE: 1