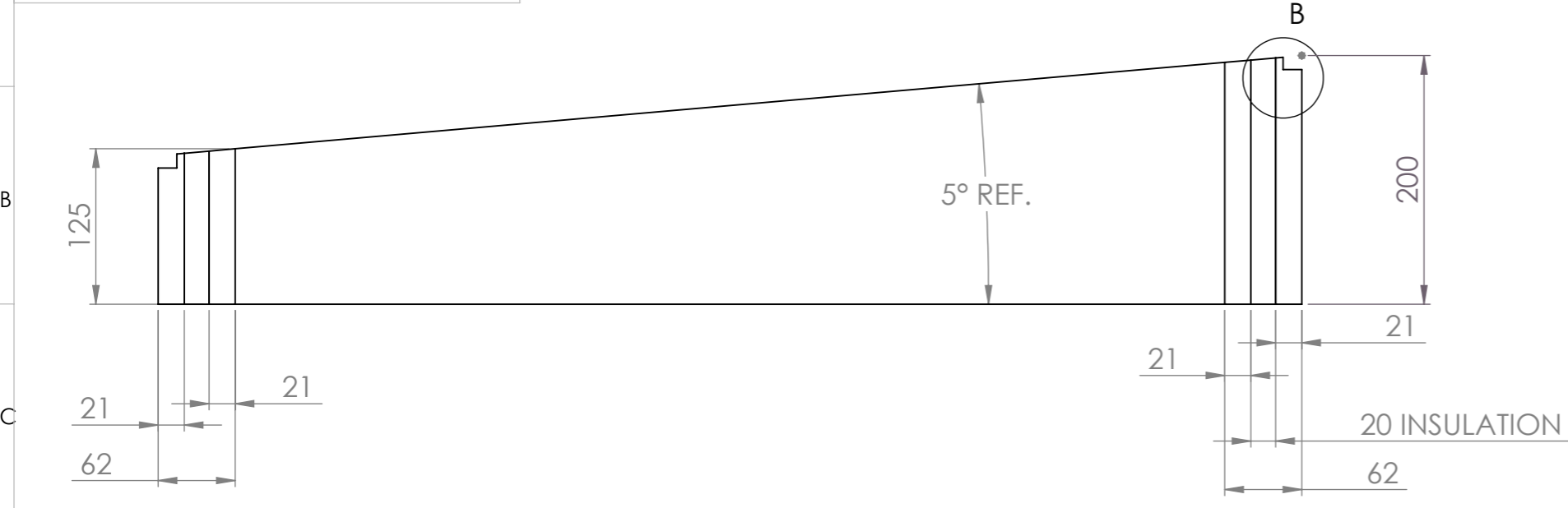
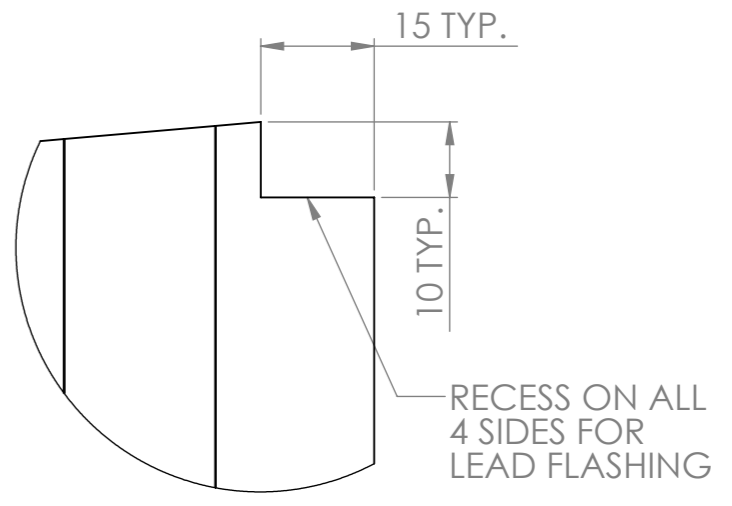
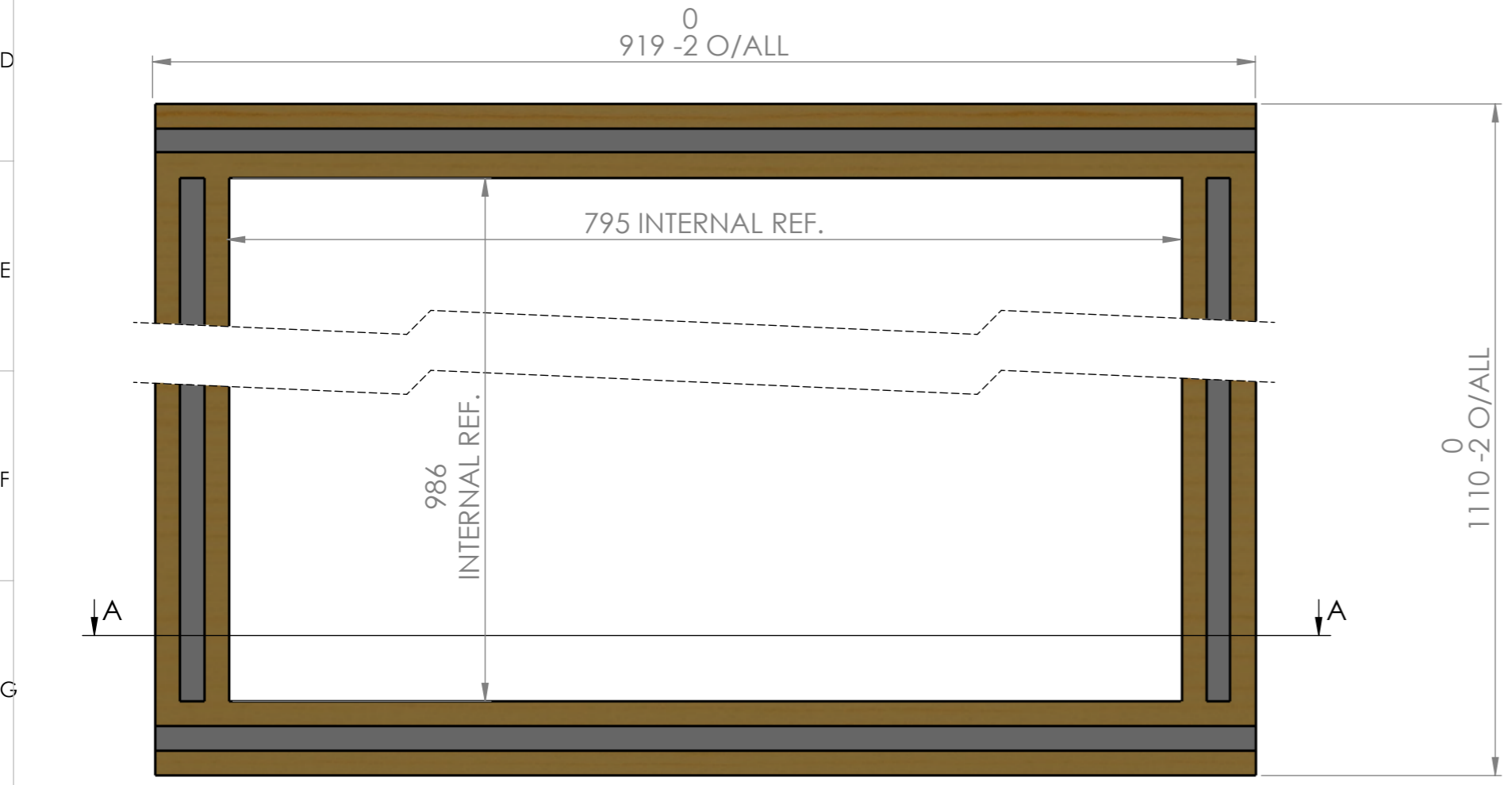


GENERAL INFORMATION  
 3RD ANGLE PROJECTION  
 DO NOT SCALE - IF IN DOUBT, ASK  
 REMOVE ALL SHARP EDGES AND BURRS

SECTION A-A



TOLERANCES UNLESS OTHERWISE SPECIFIED	
LINEAR - 0 DECIMAL PLACES	±1.0mm
LINEAR - 1 DECIMAL PLACES	±0.50mm
LINEAR - 2 DECIMAL PLACES	±0.15mm
ANGULAR	
	±1.0°
SURFACE FINISH - GENERAL	
SURFACE FINISH - MACHINED	
SURFACE FINISH - GROUND	
SURFACE FINISH - POLISHED	
SCREW THREAD - INTERNAL	6H
SCREW THREAD - EXTERNAL	6g



DETAIL B  
 SCALE 1 : 1

VIEW ON UNDERSIDE OF KERB



THE INFORMATION CONTAINED IN THIS DRAWING IS THE SOLE PROPERTY OF LUMEN. ANY REPRODUCTION IN PART OR AS A WHOLE WITHOUT WRITTEN PERMISSION IS STRICTLY PROHIBITED  
 SHEET: 1 OF 1 - A3  
 DATE: 15/02/2014 UNITS: mm; kg

DRAWN: S.C  
 SCALE: 1:5  
 WEIGHT: 12.65

TITLE: INSULATED KERB  
 REF: HORIZON SA. REF:

MATERIAL: Accoya  
 TREATMENT:  
 FINISH:

PART TYPE: BESPOKE  
 PART REF: LUM2391P  
 DRG. No. LUM2391P ISSUE: 1