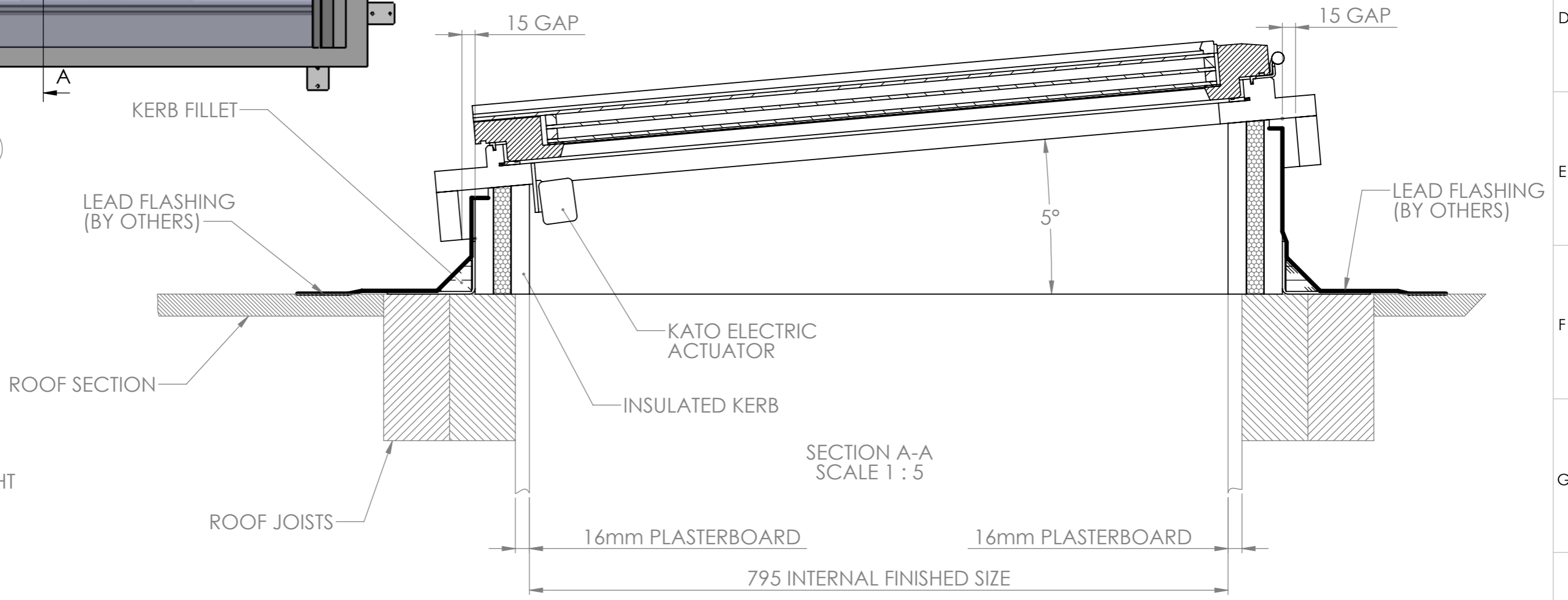
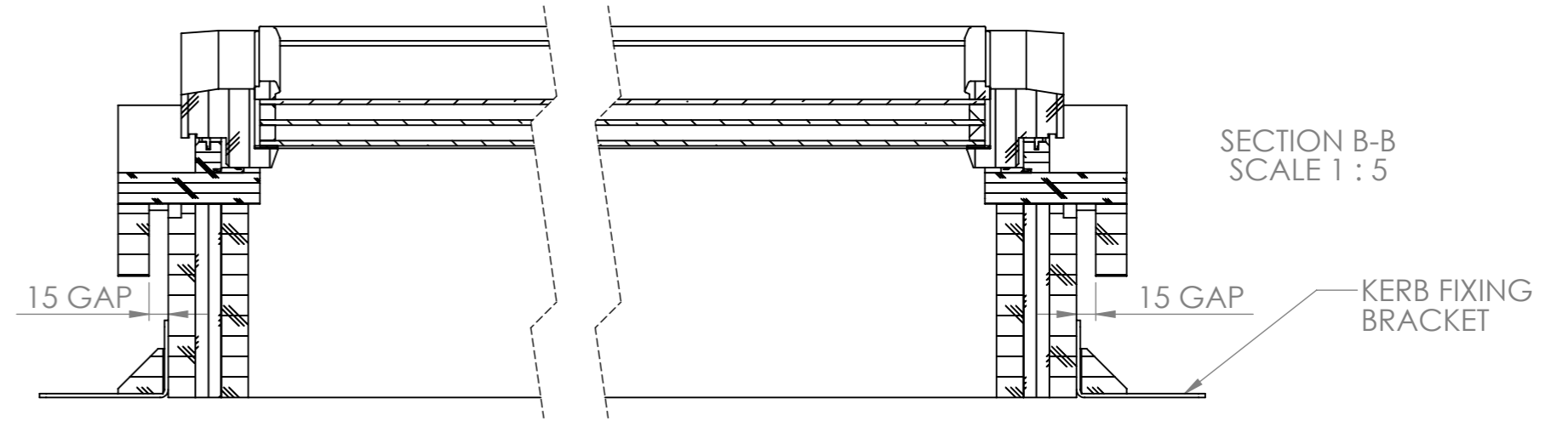
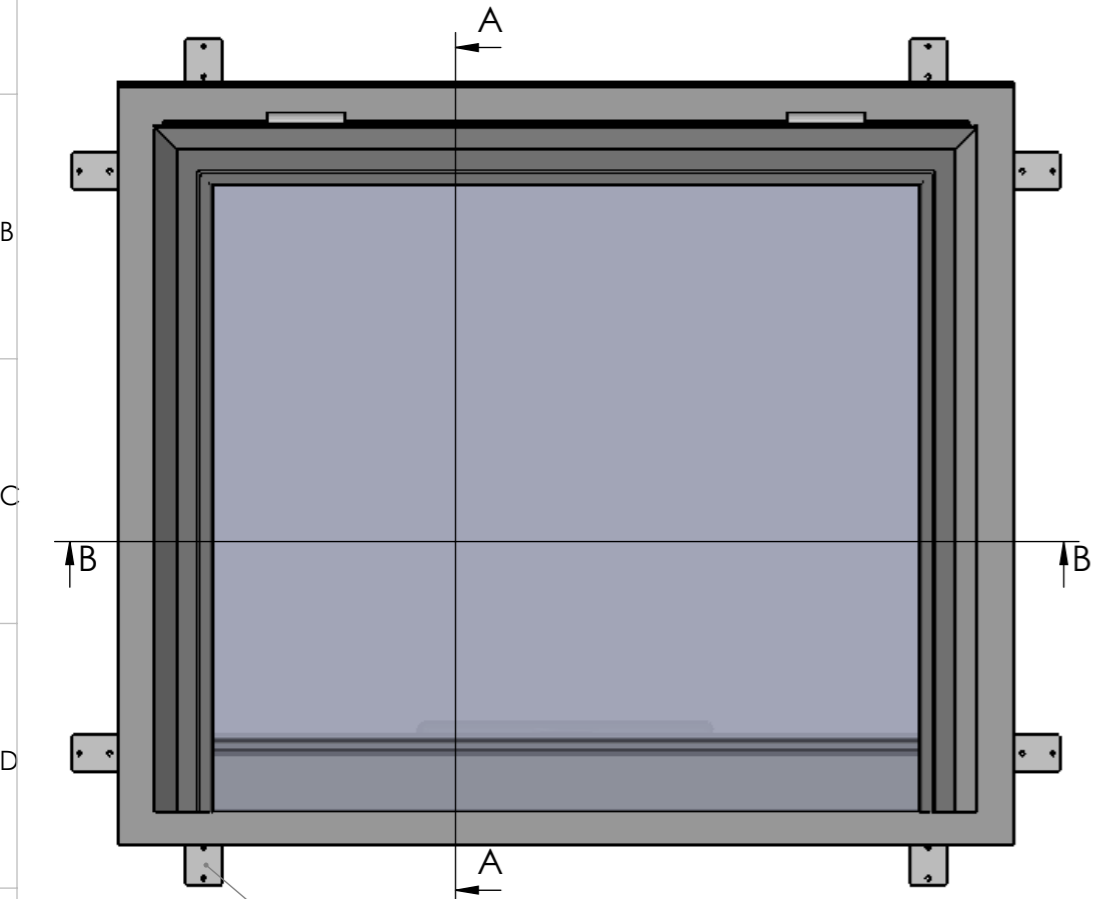


GENERAL INFORMATION  
 3RD ANGLE PROJECTION  
 DO NOT SCALE - IF IN DOUBT, ASK  
 REMOVE ALL SHARP EDGES AND BURRS

ITEM NO.	PART NUMBER	DESCRIPTION	QTY.
1	LUM2391P	INSULATED KERB	1
2	LUM2392P	KERB FIXING BRACKET - ST STEEL	8
3	LUM2404P	KERB TOE SECTION	1
4	LUM2393A	HORIZON ROOF LIGHT GA	1

TOLERANCES UNLESS OTHERWISE SPECIFIED

LINEAR - 0 DECIMAL PLACES	±1.0mm
LINEAR - 1 DECIMAL PLACES	±0.50mm
LINEAR - 2 DECIMAL PLACES	±0.15mm
ANGULAR	
	±1.0°
SURFACE FINISH - GENERAL	
	3.2 µm
SURFACE FINISH - MACHINED	
	1.6 µm
SURFACE FINISH - GROUND	
	0.4 µm
SURFACE FINISH - POLISHED	
	0.2 µm
SCREW THREAD - INTERNAL	
	6H
SCREW THREAD - EXTERNAL	
	6g



© COPYRIGHT

**LUMEN**  
 ROOFLIGHT

THE INFORMATION CONTAINED IN THIS DRAWING IS THE SOLE PROPERTY OF LUMEN. ANY REPRODUCTION IN PART OR AS A WHOLE WITHOUT WRITTEN PERMISSION IS STRICTLY PROHIBITED

SHEET: 1 OF 2 - A3  
 DATE: 15/02/2015 UNITS: mm; kg


DRAWN: S.C  
 SCALE: 1:10  
 WEIGHT: 53

TITLE: HORIZON ROOF LIGHT  
 REF: HORIZON SA. REF:

MATERIAL: ACCOYA  
 TREATMENT:  
 FINISH: PAINT TO SUIT REQUIREMENT

PART TYPE: BESPOKE  
 PART REF: LUM2390A  
 DRG. No. LUM2390A ISSUE: 1

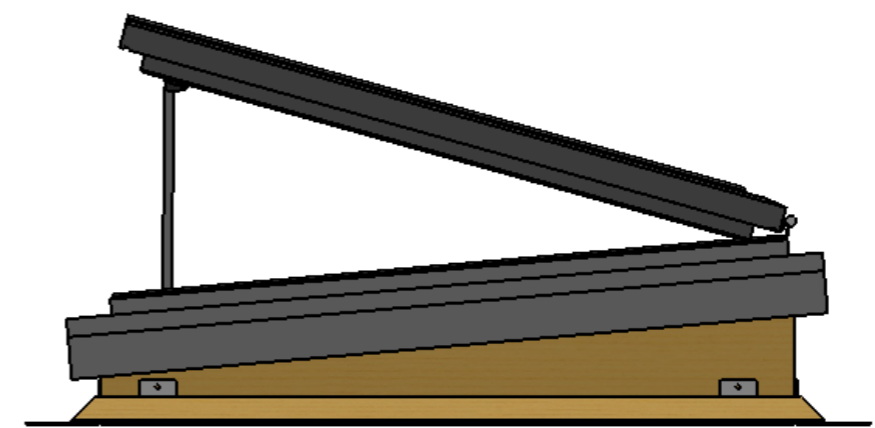
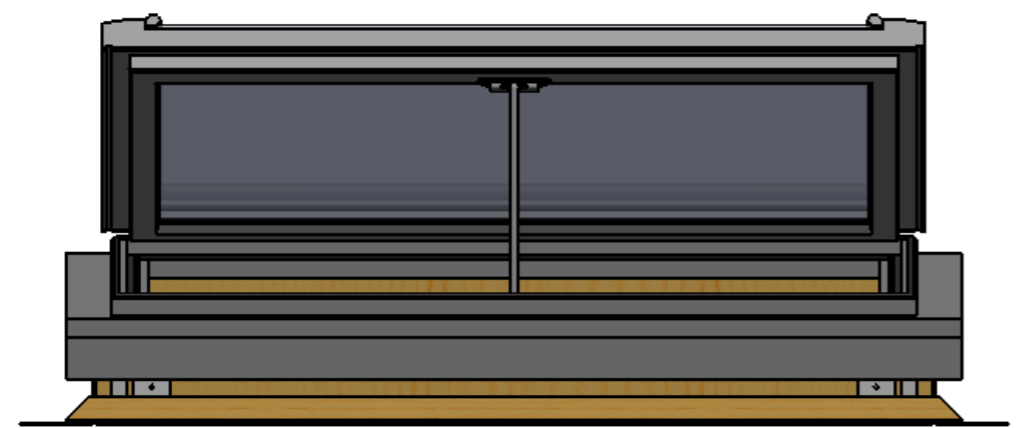
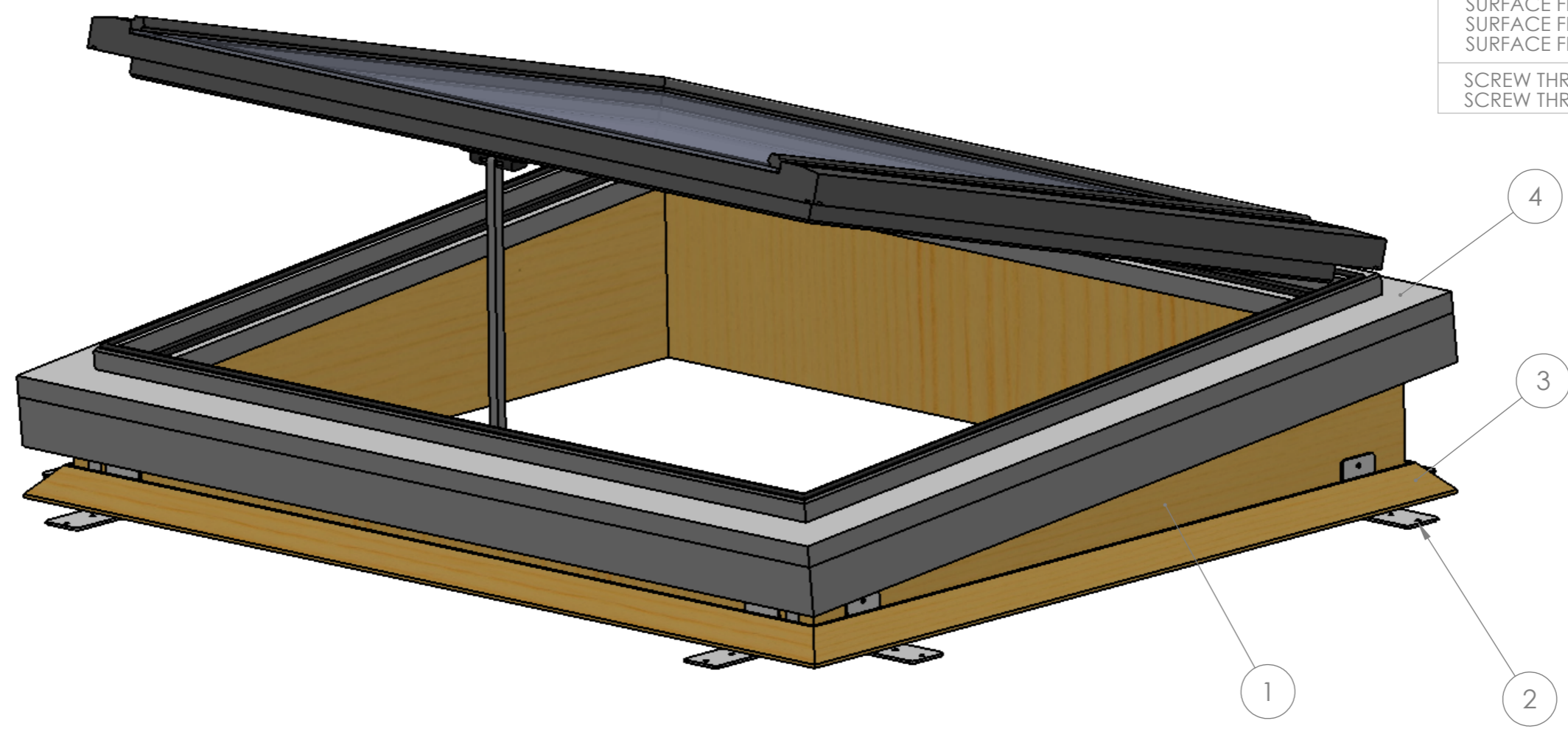
1 2 3

GENERAL INFORMATION  
 3RD ANGLE PROJECTION   
 DO NOT SCALE - IF IN DOUBT, ASK  
 REMOVE ALL SHARP EDGES AND BURRS

11 12

TOLERANCES UNLESS OTHERWISE SPECIFIED

LINEAR - 0 DECIMAL PLACES	±1.0mm
LINEAR - 1 DECIMAL PLACES	±0.50mm
LINEAR - 2 DECIMAL PLACES	±0.15mm
ANGULAR	
	±1.0°
SURFACE FINISH - GENERAL	
	3.2 µm
SURFACE FINISH - MACHINED	
	1.6 µm
SURFACE FINISH - GROUND	
	0.4 µm
SURFACE FINISH - POLISHED	
	0.2 µm
SCREW THREAD - INTERNAL	
	6H
SCREW THREAD - EXTERNAL	
	6g



© COPYRIGHT

**LUMEN**  
 ROOFLIGHT

THE INFORMATION CONTAINED IN THIS DRAWING IS THE SOLE PROPERTY OF LUMEN. ANY REPRODUCTION IN PART OR AS A WHOLE WITHOUT WRITTEN PERMISSION IS STRICTLY PROHIBITED

SHEET: 2 OF 2 - A3

DATE: 15/02/2015 UNITS: mm; kg

DRAWN: S.C  
 SCALE: 1:10  
 WEIGHT: 53

TITLE: HORIZON ROOF LIGHT

REF: HORIZON SA. REF:

MATERIAL: ACCOYA  
 TREATMENT:  
 FINISH: PAINT TO SUIT REQUIREMENT

PART TYPE: BESPOKE  
 PART REF: LUM2390A

DRG. No. LUM2390A ISSUE: 1