

REMOVE ALL BURRS & SHARP EDGES

DRAWING NUMBER

Sheet 1 of 1

TITLE. LUMEN EXTRA LIGHT
STANDARD CAPPED
LINKED SYSTEM

MATERIAL.
3MM ZINTEC

FINISH. BLACK TEXTURE

NOTE.

LR-4 SHOWN
REFER TO TABLE FOR
OTHER STANDARD SIZES

ISSUE COMMENTS.

DRAWN. CMT DESIGN

DATE. 24-06-07

ALL DIMENSIONS ARE IN MILLIMETRES
DIMENSION TOLERANCE,
GENERAL TOLERANCE $\pm 0.25\text{mm}$
ANGULAR TOLERANCE $\pm 0.5^\circ$

THIRD ANGLE

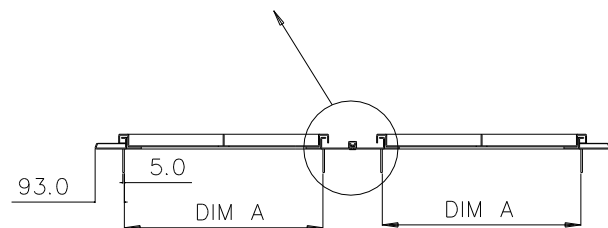
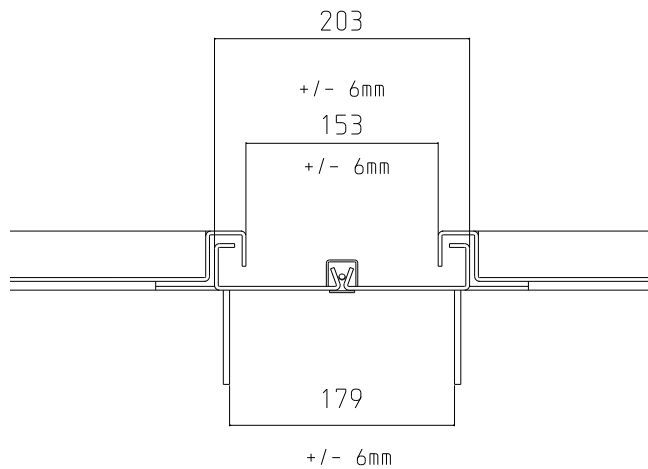
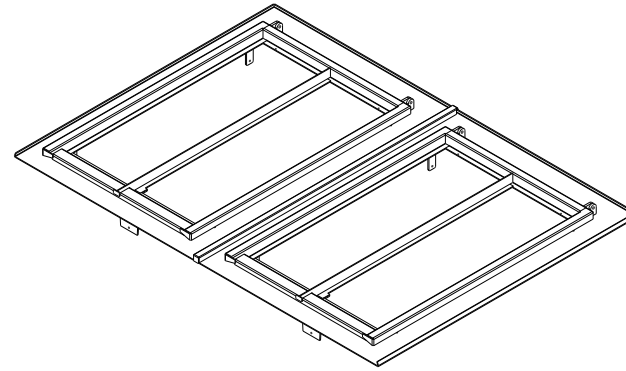
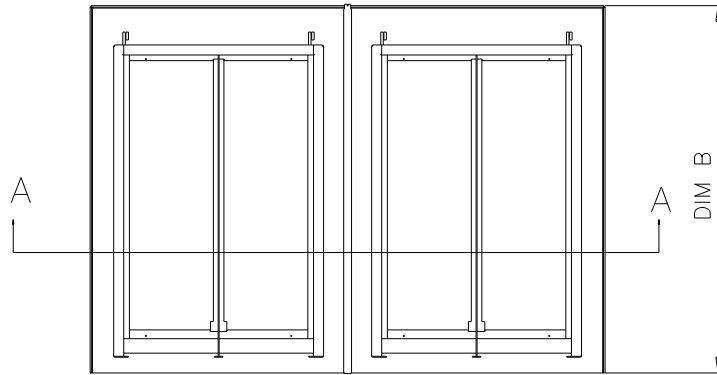


Tuscan
Foundry Products Ltd

Unit B1, Oakdene Industrial Estate,
Bentley Road, Cowfold, West Sussex RH13 8AZ

Tel: 0800 174 093
Fax: 0845 330 7260
E-mail: enquiries@lumenrooflight.co.uk
Web: lumenrooflight.co.uk

The information in this drawing is
copyright of Tuscan Foundry Products



	DIM A	DIM B
LR1	405	753
LR2	482	870
LR3	482	1021
LR4	632	1169
LR5	786	1169
LR6	938	1481

DO NOT SCALE

PAPER SIZE =

REMOVE ALL BURRS & SHARP EDGES

DRAWING NUMBER

Sheet 1 of 1

TITLE. LUMEN EXTRA LIGHT
STANDARD CAPPED
LINKED SYSTEM

MATERIAL.
3MM ZINTEC

FINISH. BLACK TEXTURE

NOTE.

LR-4 SHOWN
REFER TO TABLE FOR
OTHER STANDARD SIZES

ISSUE COMMENTS.

DRAWN. CMT DESIGN

DATE. 24-06-07

ALL DIMENSIONS ARE IN MILLIMETRES
DIMENSION TOLERANCE,
GENERAL TOLERANCE $\pm 0.25\text{mm}$
ANGULAR TOLERANCE $\pm 0.5^\circ$

THIRD ANGLE



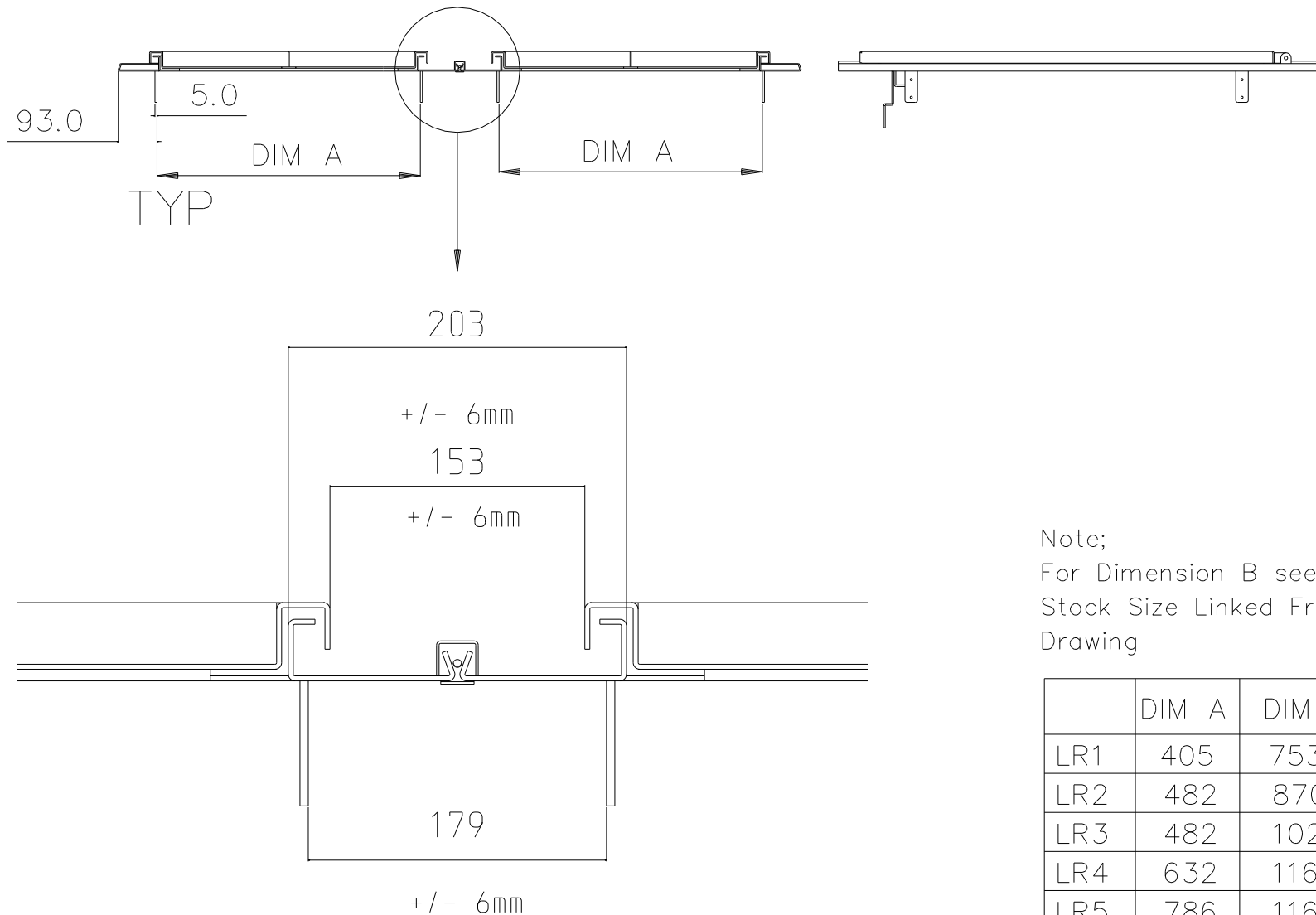
Tuscan
Foundry Products Ltd

Unit B1, Oakendene Industrial Estate,
Bentley Road, Cowfold, West Sussex RH13 8AZ

Tel: 0800 174 093
Fax: 0845 330 7260
E-mail: enquiries@lumenrooflight.co.uk
Web: lumenrooflight.co.uk

The information in this drawing is
copyright of Tuscan Foundry Products

SECTION 'A-A'

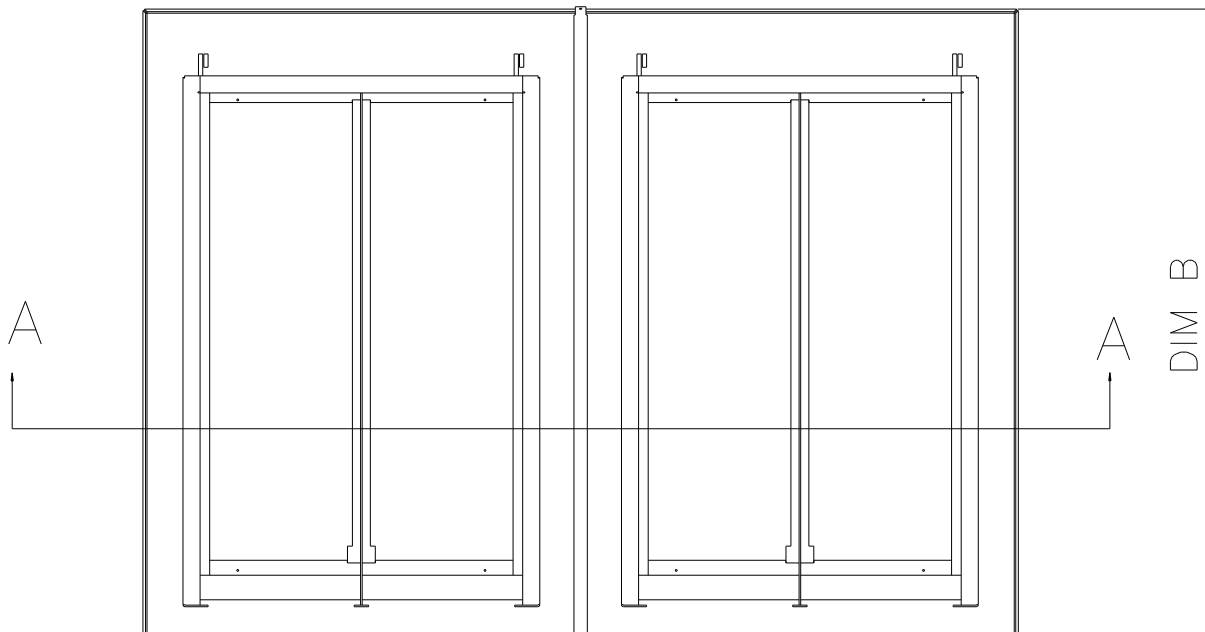
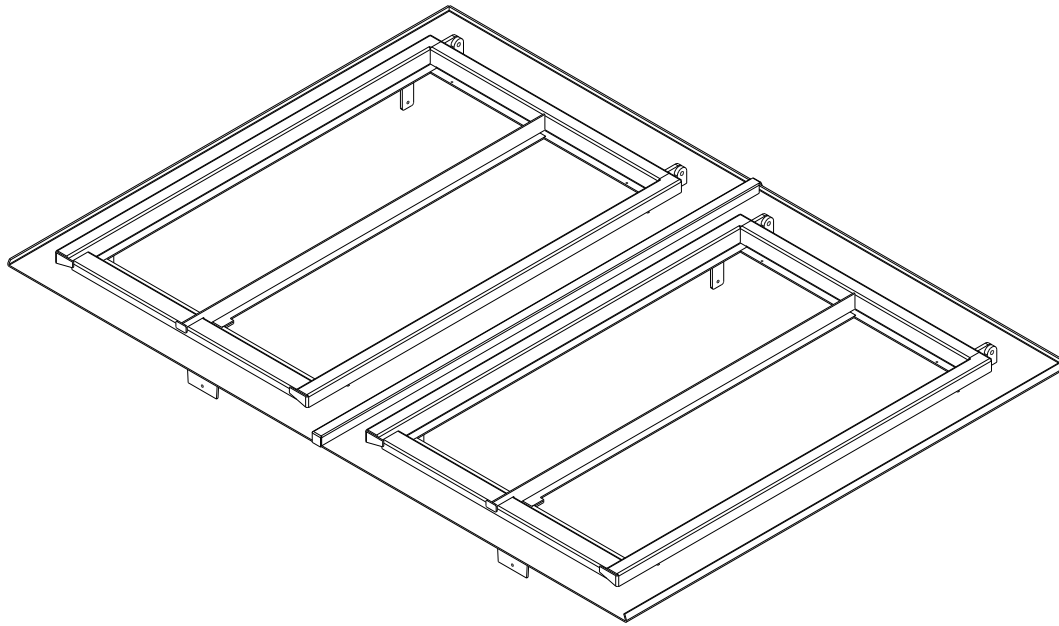


Note;
For Dimension B see
Stock Size Linked Frame
Drawing

DO NOT SCALE

PAPER SIZE =

REMOVE ALL BURRS & SHARP EDGES



Note;
For Dimension A see
Stock Size Linked Section
Drawing

	DIM A	DIM B
LR1	405	753
LR2	482	870
LR3	482	1021
LR4	632	1169
LR5	786	1169
LR6	938	1481

DRAWING NUMBER

Sheet 1 of 1

TITLE. LUMEN EXTRA LIGHT
STANDARD CAPPED
LINKED SYSTEM

MATERIAL.
3MM ZINTEC

FINISH. BLACK TEXTURE

NOTE.

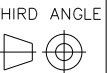
LR-4 SHOWN
REFER TO TABLE FOR
OTHER STANDARD SIZES

ISSUE COMMENTS.

DRAWN. CMT DESIGN

DATE. 24-06-07

ALL DIMENSIONS ARE IN MILLIMETRES
DIMENSION TOLERANCE,
GENERAL TOLERANCE $\pm 0.25\text{mm}$
ANGULAR TOLERANCE $\pm 0.5^\circ$



Tuscan
Foundry Products Ltd

Unit B1, Oakdene Industrial Estate,
Bentley Road, Cowfold, West Sussex RH13 8AZ

Tel: 0800 174 093
Fax: 0845 330 7260
E-mail: enquiries@lumenrooflight.co.uk
Web: lumenrooflight.co.uk

The information in this drawing is
copyright of Tuscan Foundry Products

DO NOT SCALE

PAPER SIZE =